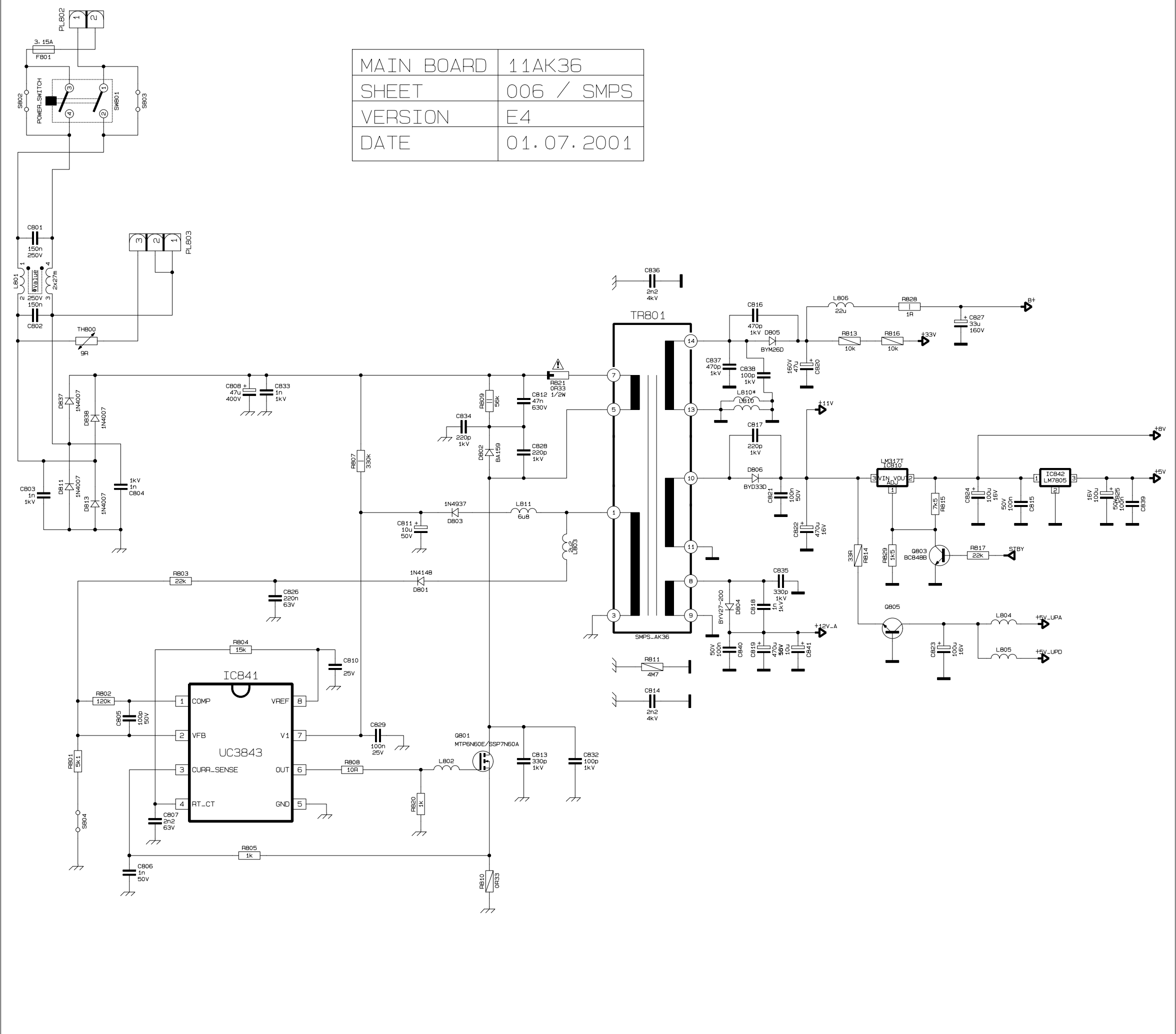
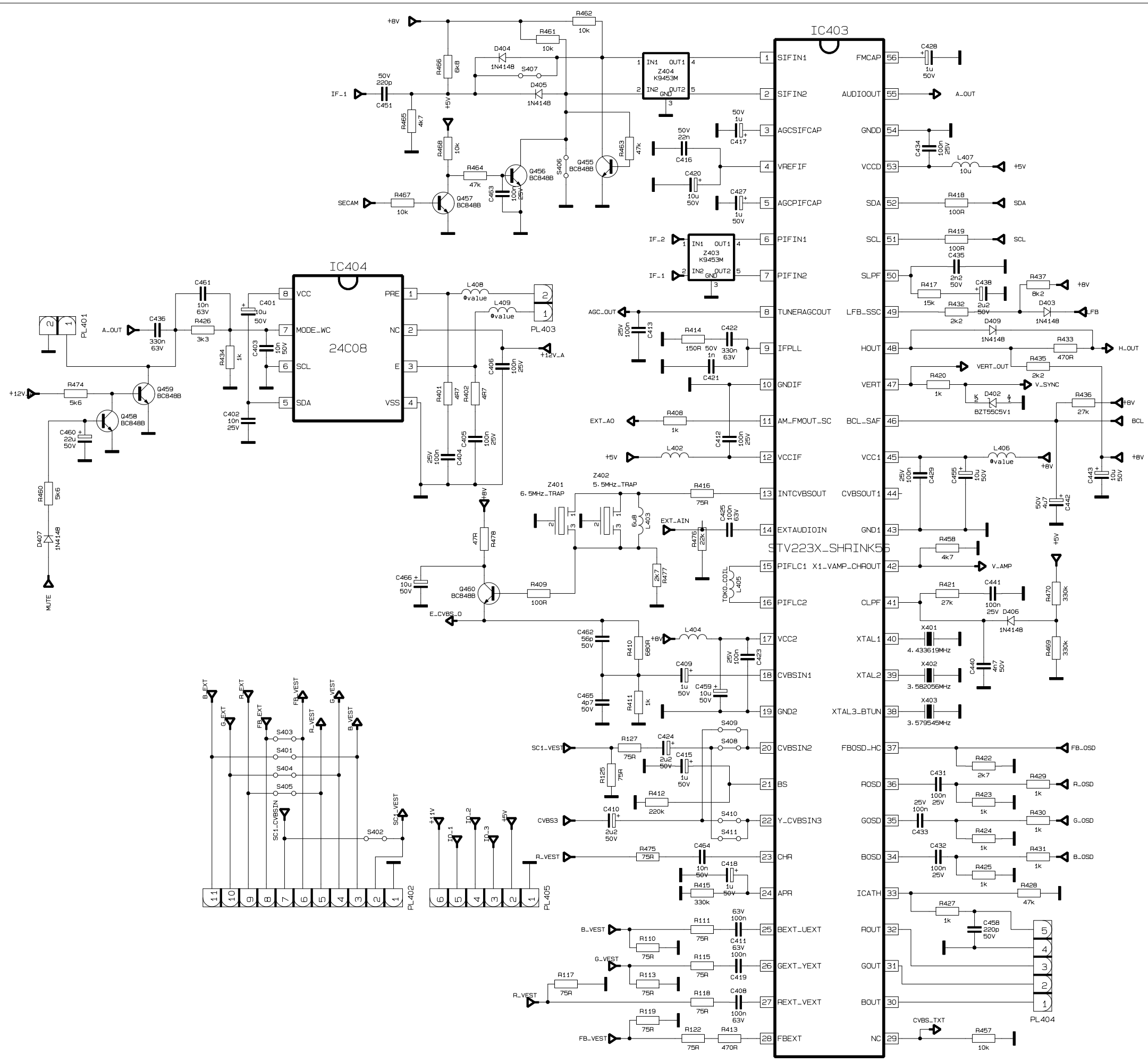
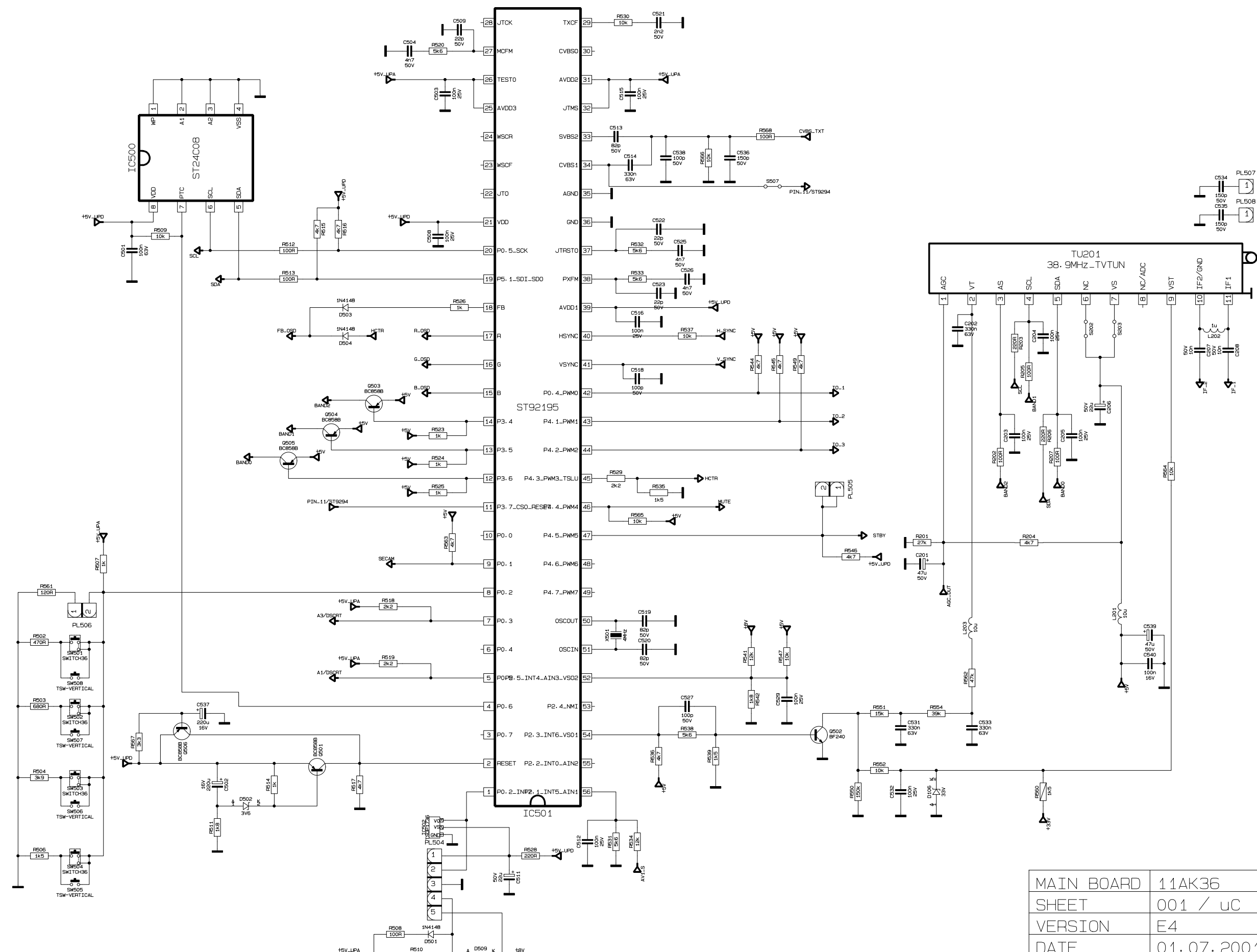


MAIN BOARD	11AK36
SHEET	006 / SMPS
VERSION	E4
DATE	01.07.2001

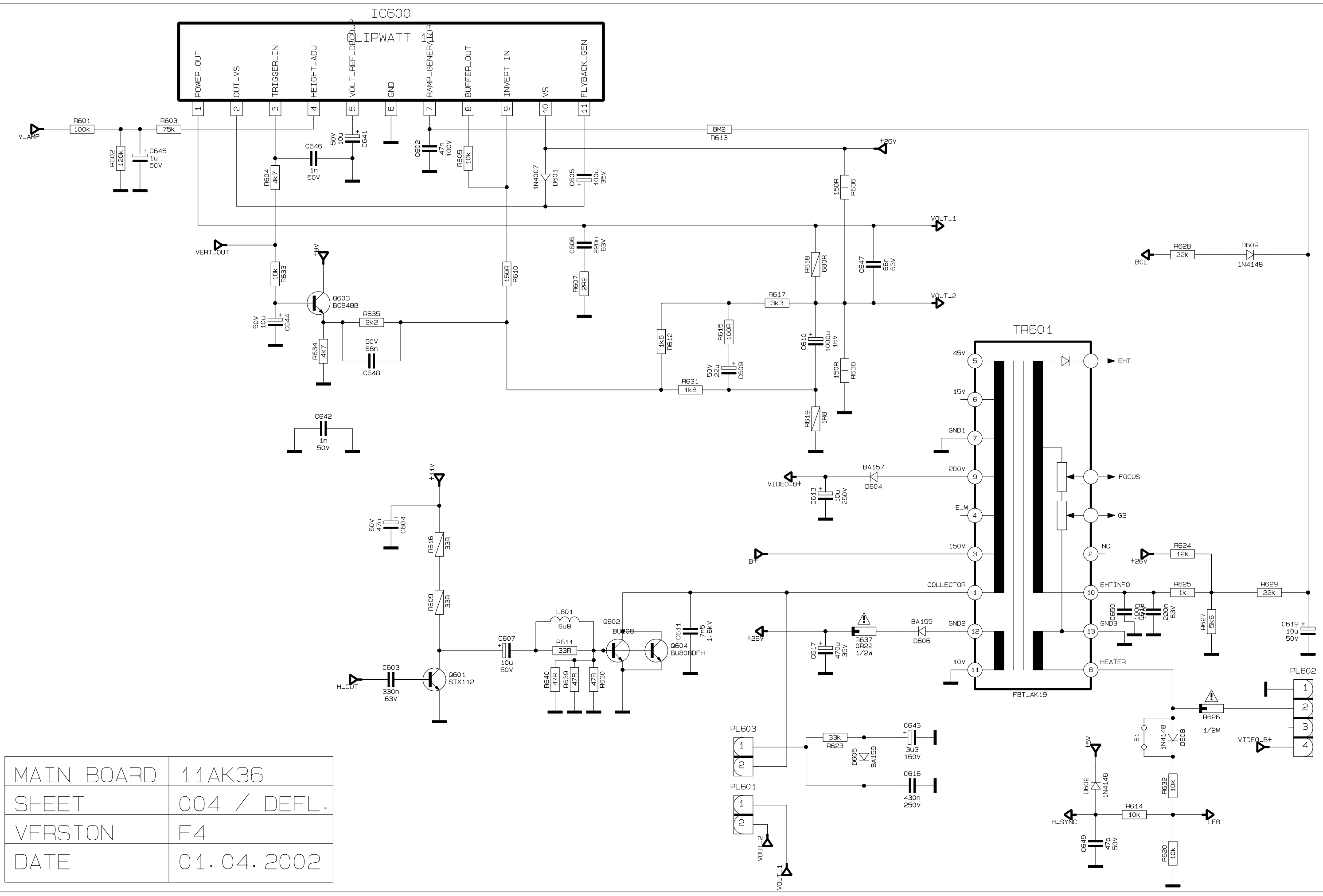




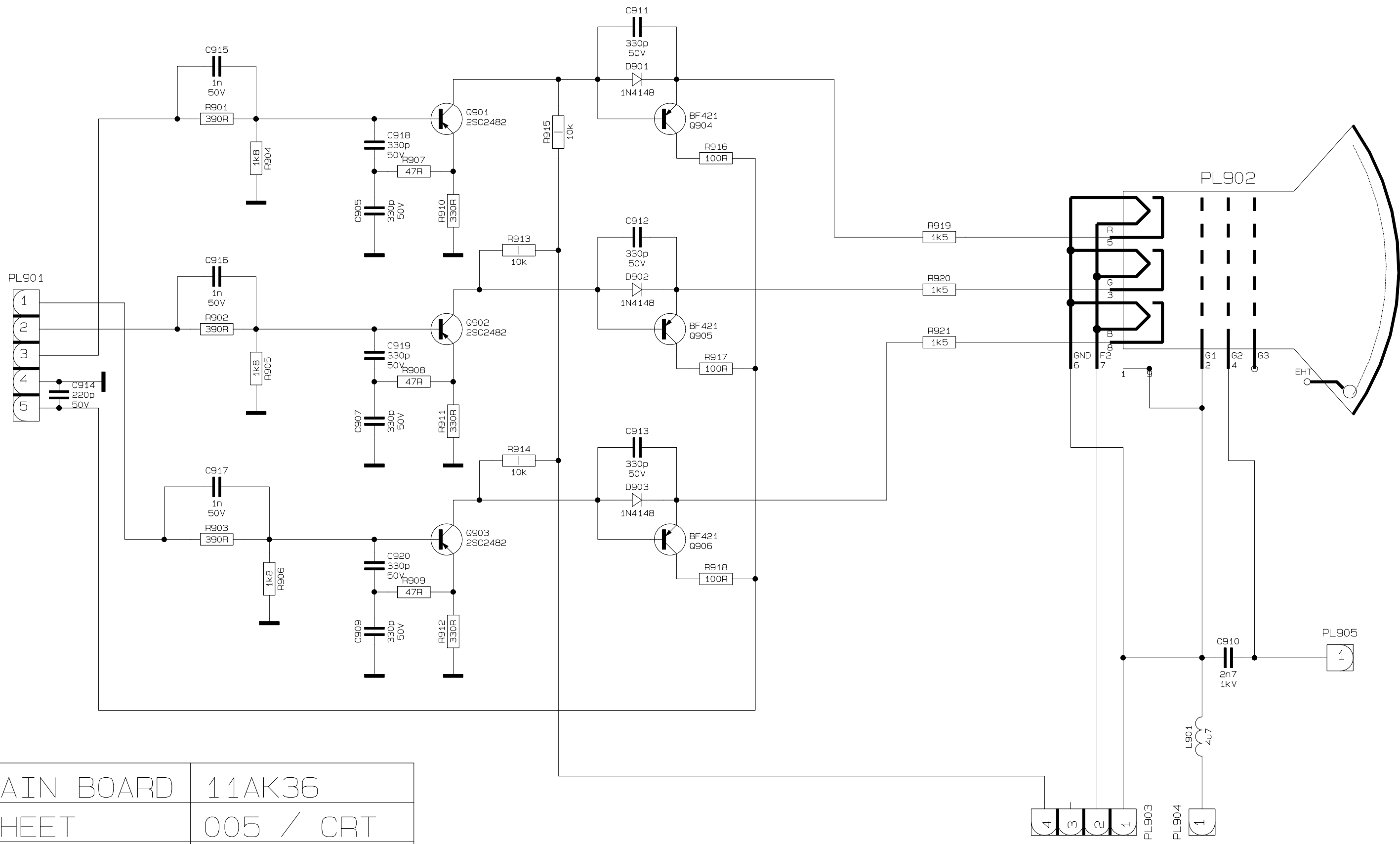
MAIN BOARD	11AK36
SHEET	002 / VIDEO
VERSION	A2
DATE	23.03.2002



MAIN BOARD	11AK36
SHEET	001 / uc
VERSION	E4
DATE	01.07.2001



MAIN BOARD	11AK36
SHEET	004 / DEFL.
VERSION	E4
DATE	01.04.2002



MAIN BOARD	11AK36
SHEET	005 / CRT
VERSION	E4
DATE	01.07.2001

